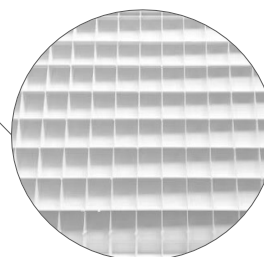


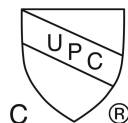
*This innovative NERVAL shower base features high compression molded thermo set resin throughout, providing NERVAL **CastStone** shower base with lightness and durability.*



**Shower Base View**



**Waffle Design  
Bottom of Shower Base**



## CastStone Shower Base 60"x 32"

**Model No:**

**CSB-6032LLD Left Side Drain**

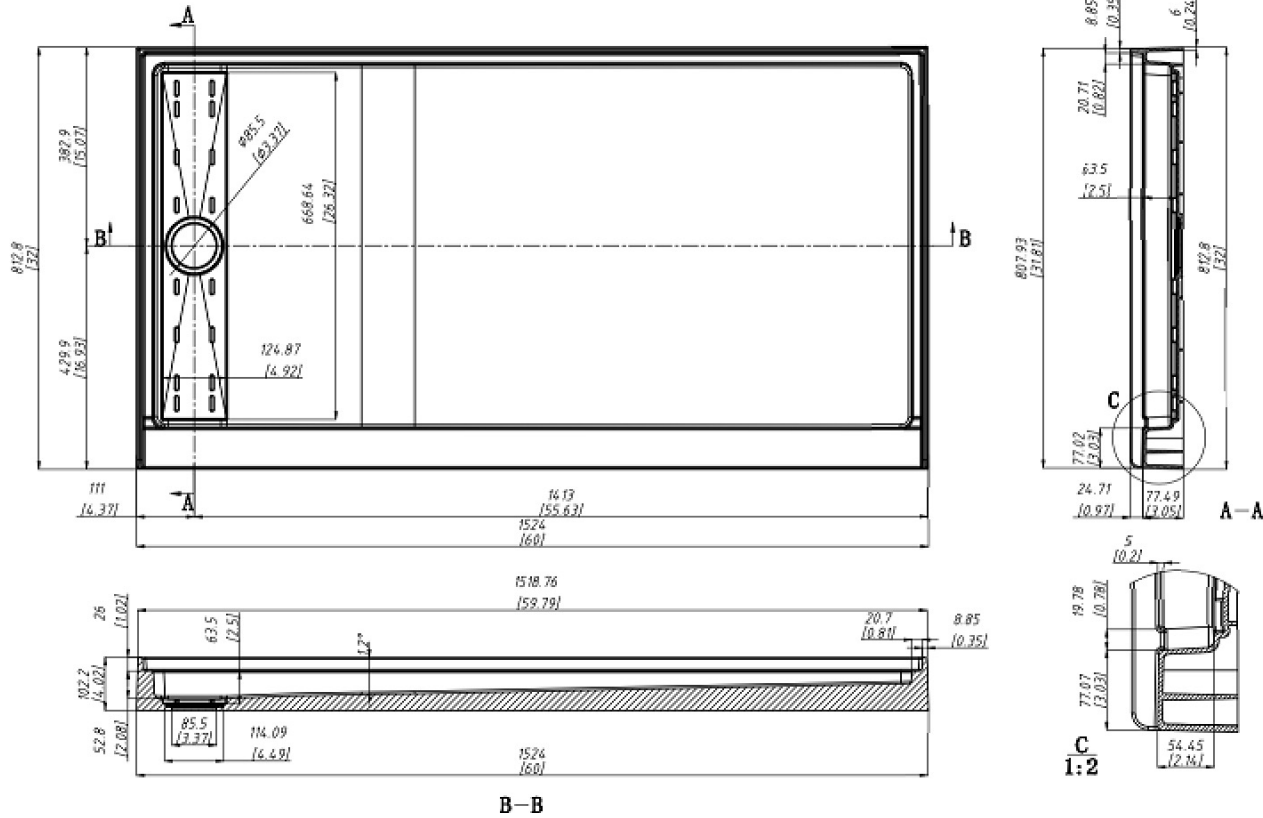
**CSB-6032RLD Right Side Drain**

**Product Feature:**

- Caststone with waffle design reinforced bottom.
- Single threshold
- 3 Sided 1" tiling/water retention flange
- Low 3" threshold for easy access
- Semi Gloss Finish
- Anti slip
- Mold Resistant
- White Color
- Brushed stainless steel linear drain plate
- Drain not included
- Water Escape
- Standard: cUPC
- Brand: Nerval

Compliance Certifications - Meets or Exceeds the Following Specifications: • CSA B45.5 / IAPMO Z124 • IAPMO R&T cUPC

**CastStone Shower Base**  
60"x 32" Left Side Drain



# CastStone Shower Base

## 60"x 32" Right Side Drain

